

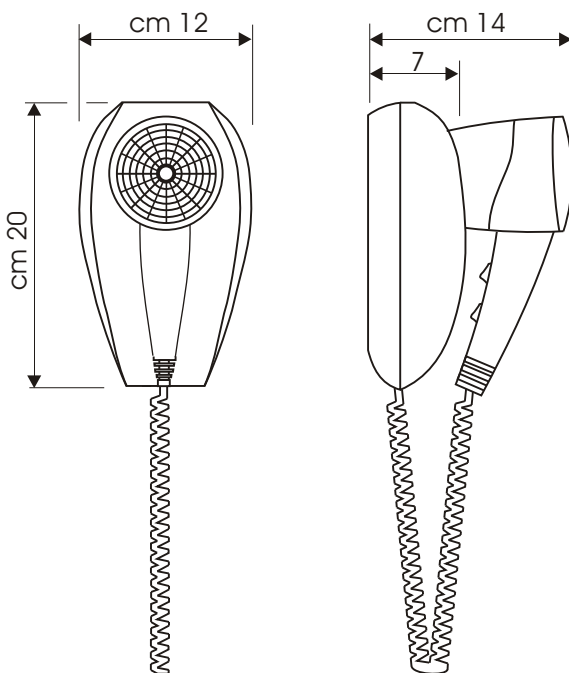


Cod. 191  
Cod. 191 /1600




Wall mounted hair dryer

- On/off security switch
- Slide switch:  
2 speeds  
3 temperatures
- Spiraled cable reinforced
- Supplied with alimentation cable, detachable for eventual connection direct to electrical mains that comes out from the wall

## Dimensions



## Technical Sheet

Functioning	On/Off pushing switch
Material	UV resistant ABS Nylon Uninflammable
Temperatures	3
Speeds	2
Voltage	220/240 V
Frequency	50/60 Hz
Power 191	1.300 W
Power 191 /1600	1.600 W
Air Flow	124 m <sup>3</sup> /h
Noise level	60 dB
Liquid protection degree	IPX0
Electric protection degree	Class II
Wall installation	By furnished plug or Direct on the wall
Quality Mark 191 D;                    191 RBD 191 D /1600;        191 RBD /1600	   
191;                    191 RB 191 /1600;        191 RB /1600	